

**Specification sheet LX 1384**

**Roof drainage systems**

**Series 84 DRAINLET®**

**Main Drainage**

**Gravity flow**

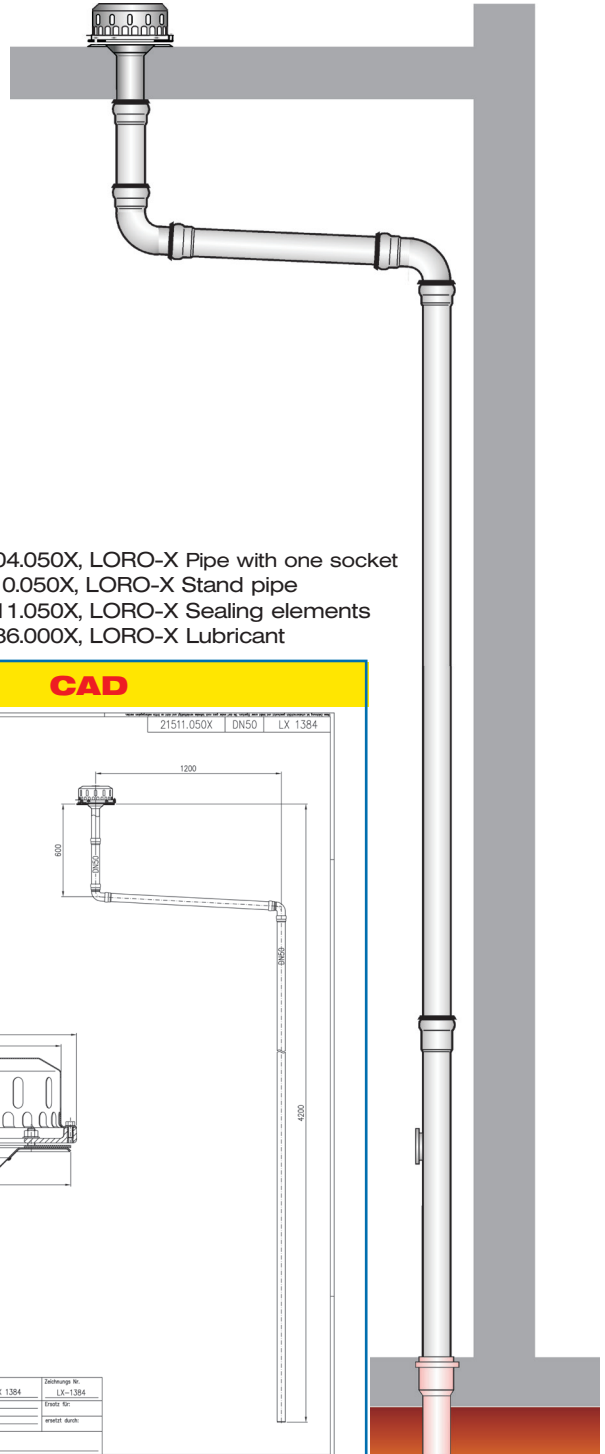
**Silent Power**

<b>Discharge rate:</b>	<b>5,4 l/sec</b>
<b>Water height:</b>	<b>35 mm</b>
<b>Roof penetration:</b>	<b>-</b>
<b>Diameter:</b>	<b>DN 50</b>
<b>LX-Number:</b>	<b>LX 1384</b>
<b>Weir height:</b>	<b>0 mm</b>
<b>Drain:</b>	<b>ventilated</b>
<b>Downpipe:</b>	<b>not ventilated</b>
<b>Downpipe height:</b>	<b>4,2 m</b>
<b>Drainage:</b>	<b>in sewer</b>

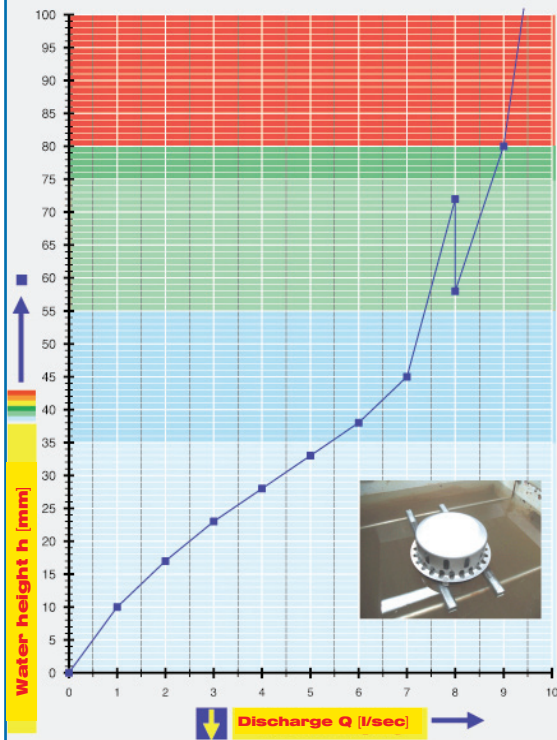
**LX 1384 Piece list**

- 1 x Art.-No. choose drain on page two!
- 1 x Art.-No. 01401.050X, LORO-X Pipe with one socket
- 2 x Art.-Nr. 00350.050X, LORO-X Bend
- 1 x Art.-Nr. 01201.050X, LORO-X Pipe with one socket

- 1 x Art.-Nr. 01004.050X, LORO-X Pipe with one socket
- 1 x Art.-Nr. 05510.050X, LORO-X Stand pipe
- 6 x Art.-Nr. 00911.050X, LORO-X Sealing elements
- 1 x Art.-Nr. 00986.000X, LORO-X Lubricant

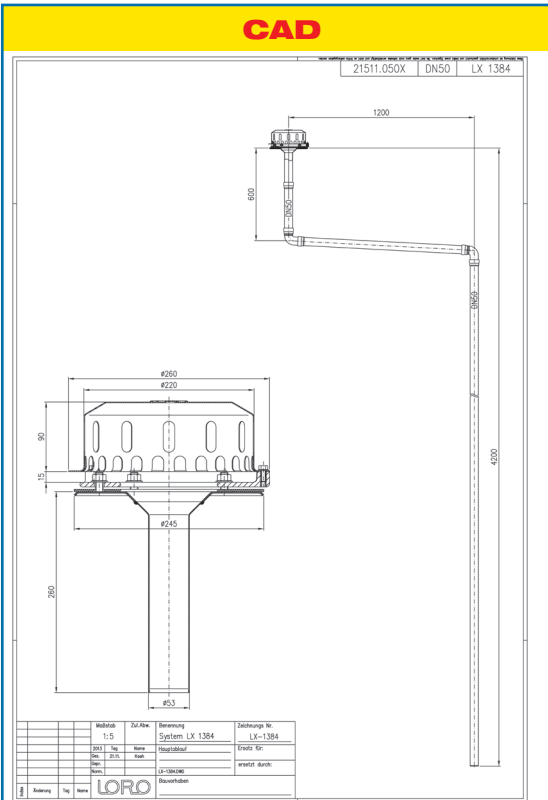


**hQ - Head Discharge curve**



**Systempower**

**CAD**



**Systemshape**

<b>Water height</b>	mm	5	10	15	20	25	30	<b>35</b>	40	45	50	55	60	65	70	75	
<b>Discharge</b>	l/sec		1,0	1,7	2,5	3,4	4,4	<b>5,4</b>	6,3	7,0	7,2	7,4	7,5	7,7	7,9	8,8	
		<b>Silent Power</b>															

Choose drain for piece list on page one!

DN 50

without insulation

**LX1384-5X**

Drain Art.-No. 21511.050X

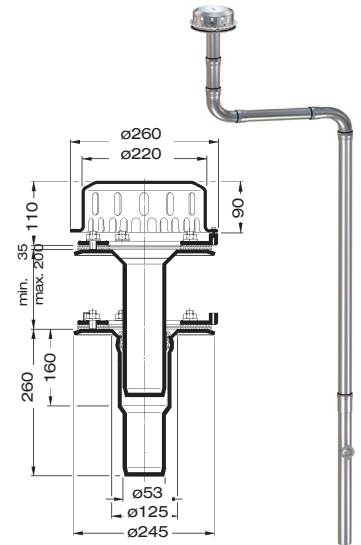
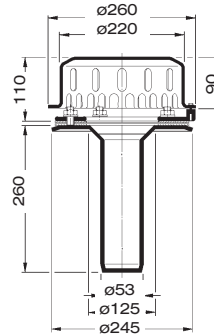
with clamping flange  
one-piece



**LX1384-6X**

Drain Art.-No. 21521.050X

with clamping flange  
two-piece



with insulation

**LX1384-7X**

Drain Art.-No. 21512.050X

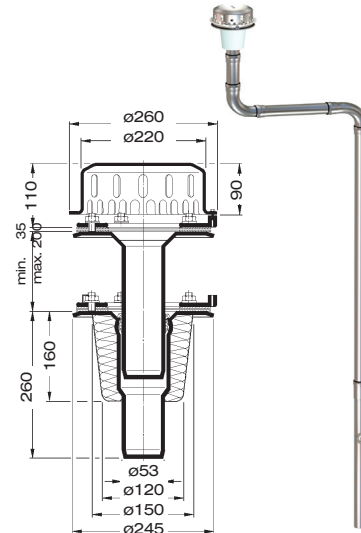
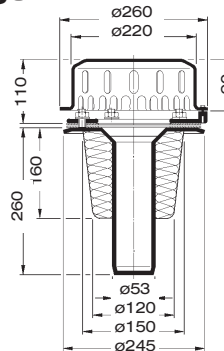
with clamping flange  
one-piece



**LX1384-8X**

Drain Art.-No. 21522.050X

with clamping flange  
two-piece



with insulation and heating

**LX1384-9X**

Drain Art.-No. 21513.050X

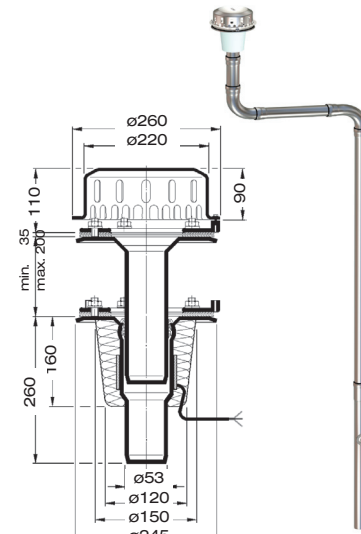
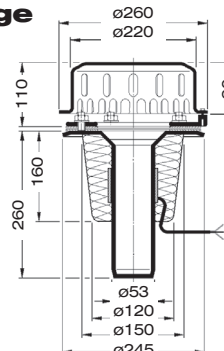
with clamping flange  
one-piece



**LX1384-10X**

Drain Art.-No. 21523.050X

with clamping flange  
two-piece



**Heat tracing:** Lorowerk recommends to check all drains and pipes with regard to their frost-sensibility. Where necessary, these parts should be upgraded with heat tracing.